

PRESSURE TRANSDUCERS

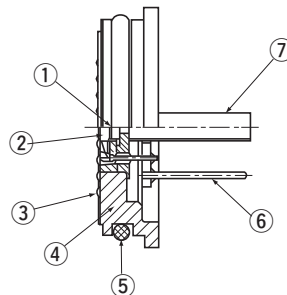
P-8305



FEATURES

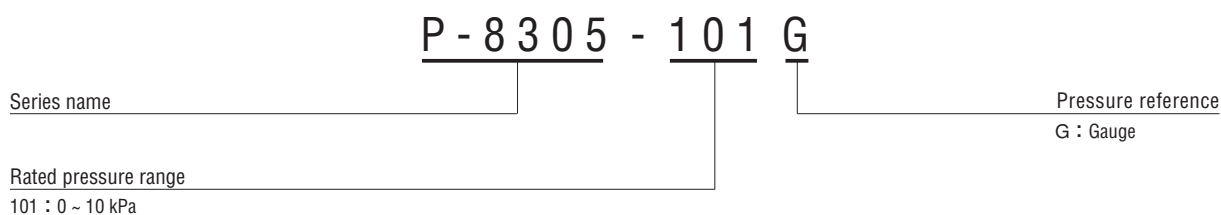
- SUS diaphragm type low pressure transducer (10 kPa)
- Double diaphragm structure
- Built-in temperature compensation function (0 ~ 50 °C)

INTERNAL STRUCTURE



Part name	Material
① Sensor chip	Silicone
② Sealed liquid	Silicone oil
③ Stainless steel diaphragm	SUS 316L
④ Housing	
⑤ "O" ring(S24)	Fluoro-rubber
⑥ Terminal pin	Copper + gold-plated
⑦ Vent hole	Iron + gold-plated

MODEL NUMBER DESIGNATION



LIST OF MODEL NUMBERS

Pressure reference	Gauge
kPa Rated pressure range	0 ~ 10
Model number	P-8305-101G

※ Verify the above model numbers when placing orders.

P-8305

PRESSURE TRANSDUCERS

STANDARD SPECIFICATIONS

● Unless otherwise specified, the specs are defined at an ambient temperature of 25±5 °C and excitation current of 1.5 mA DC.

Item		Model number	P-8305	
			101G	
General specifications	Pressure reference		Gauge	
	Rated pressure range	kPa	10	
	Maximum pressure	kPa	30	
	Break-down pressure	kPa	100	
	Operating temp. range	°C	-20 ~ 70	
	Compensated temp. range	°C	0 ~ 50	
	Operating humidity	%RH	35 ~ 85 (No condensation)	
	Storage temp.	°C	-20 ~ 70 (Atmospheric pressure, humidity 65 %RH maximum)	
	Bridge resistance	Ω	4700 ± 30 %	
	Pressure medium		Corrosive gases/liquids compatible with SUS316L	
	Insulation resistance	MΩ minimum	100 (500 V DC)	
	Dielectric strength		500 V AC, 60 s (Leakage current 1 mA maximum)	
	Sealed liquid		Silicone oil	
	Net weight	g	Approx. 25	
Power	Excitation current	mA DC	1.5 (Constant current)	
Analog output	Offset voltage		mV	± 3
	Span voltage		mV	25 ± 10
	Linearity/Hysteresis		%F.S.	± 0.3
	Thermal error (Reference temp.: 25 °C)	ZERO	%F.S./°C	± 0.06
		SPAN	%F.S./°C	± 0.04
	Response		ms	Approx. 2
Gravitational effect (From vertical position to horizontal position)		%F.S. max.	Approx. 0.5	

ENVIRONMENTAL CHARACTERISTICS

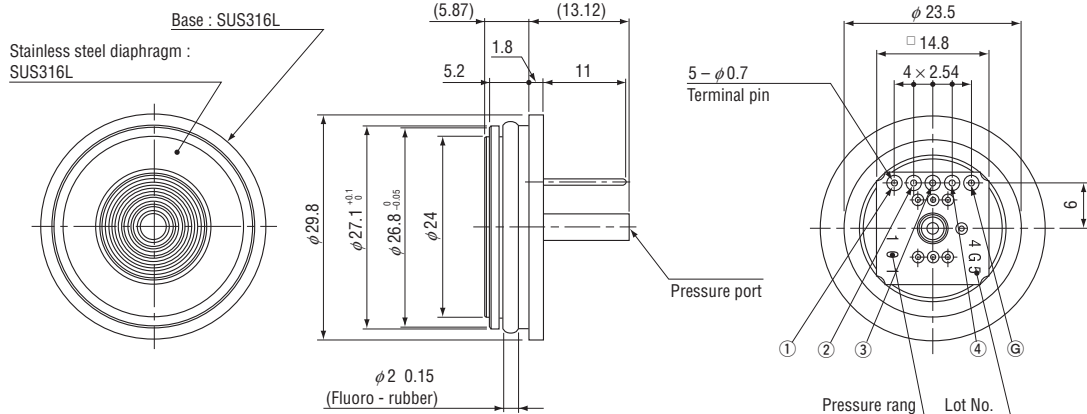
Test item	Test conditions (At 25 ± 5 °C)	Permissible change
Vibration	10 ~ 500 Hz, 1.5 mm maximum/98.1 m/s ² , 3 directions for 2 hours each	Offset voltage/Span voltage: ± 2 %F.S. maximum each
Shock	490 m/s ² , 3 directions for 3 times each	
Pressure cycling	0 ~ Rated pressure, 10 ⁶ cycles	
Moisture resistance	40 °C, 90 ~ 95 %RH, 240 hrs.	

※ Can be operated at vacuum pressure.

P-8305

PRESSURE TRANSDUCERS

OUTLINE DIMENSIONS



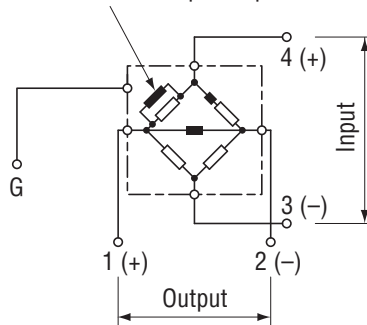
⚠ Extra care should be taken with the diaphragm part.
Do not touch the diaphragm directly to avoid damaging the diaphragm.

P-8305

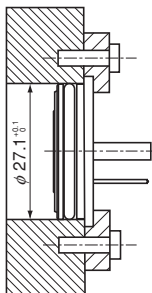
PIN	CONNECTION
①	Output +
②	Output -
③	Input -
④	Input +
Ⓞ	Housing

INTERNAL ELECTRICAL SCHEMATICS

Thick film resistors for temp. compensation



INSTALLATION EXAMPLES



- An "O" ring S24 is supplied as accessory.
Make the mounting bore diameter $\phi 27.1^{+0.1}_0$ and the surface-roughness as 6.3 S ($\nabla\nabla\nabla$).
- Do not make the connector terminal side be airtight completely, as the vent hole is at this side.

SCIENCE GATE
Your Automation Partner



SCIGATE AUTOMATION (S) PTE LTD

No.1 Bukit Batok Street 22 #01-01 Singapore 659592

Tel: (65) 6561 0488

Fax: (65) 6562 0588

Email: sales@scigate.com.sg

Web: www.scigate.com.sg

Business Hours: Monday - Friday 8.30am - 6.15pm